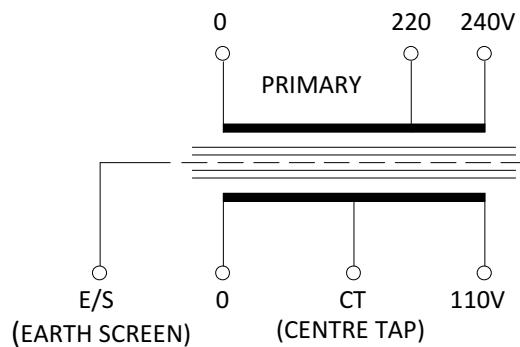


SINGLE PHASE TRANSFORMER WIRING DIAGRAM CENTRE TAPPED SECONDARY

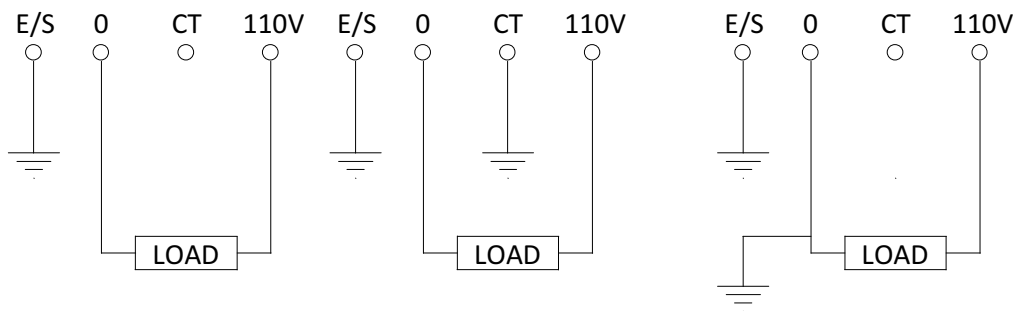


NOTE: 220/240V PRIMARY VOLTAGE AND 110V SECONDARY VOLTAGE RANGES ARE SHOWN FOR GUIDANCE PURPOSES ONLY, CONNECTION INFORMATION IS ALSO VALID FOR OTHER PRIMARY VOLTAGE AND SECONDARY VOLTAGE COMBINATIONS.

SHOWN BELOW ARE THE THREE CORRECT WAYS IN WHICH THE
 SECONDARY TERMINALS MAY BE CONNECTED

IF BOTH LINES ARE EARTH FREE THEN CONNECT TERMINALS AS SHOWN BELOW. EARTHING OF THE CENTRE TAP IS OPTIONAL

IF EITHER OF THE LOAD LINES ARE EARTHED THEN THE CENTRE TAP MUST NOT BE EARTH.



THE EARTH SCREEN (E/S) TERMINAL CAN ALWAYS BE SAFELY TAKEN TO EARTH